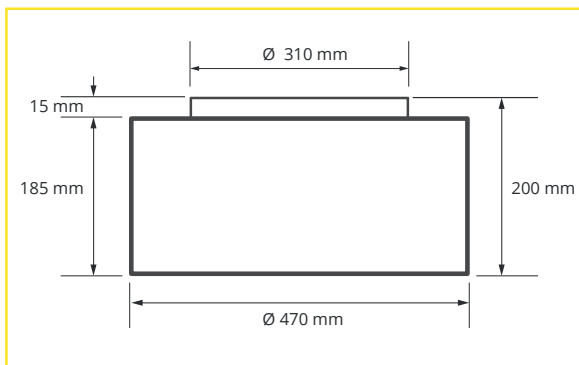
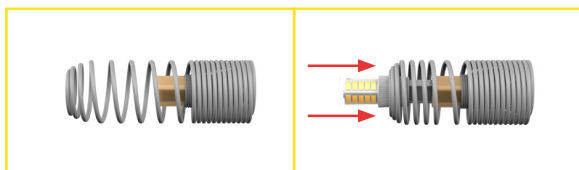




Shielded lamps



- Ceiling lamp for living and sleeping areas for large-area with bright light
- completely shielded, modern and timeless ceiling lamp
- designed and manufactured in Germany
- Lampshade: Linen natural (small colour inclusions in the lampshade are possible due to the natural product and are no reason for complaint), shade closed at the bottom with an acrylic glass pane.
- Accessories included: 6 x building biology optimised LED light source - G9. This corresponds to: 6 x 485 lumens = 2,910 lumens, which is approximately as bright as three incandescent lamps with 100 watts each.
- to vary the brightness, the light sources can be separated into two groups, e.g. with a series switch.
- new effective shielding basket for G9 LED approx. 1.4 V/m at a distance of 10 cm less than 1 V/m at a distance of 30 cm (according to TCO)
- colour-matched to our shielded beech wood lamp as a beautiful ensemble for your bedroom and/or living room



Order-No.: 400310 - 41-9084
Short-Desc.: LA-DL47

Shielded lamps

Ceiling lamp LA-DL47

Technische Daten

Colour:	Linen nature, white
Operating voltage:	230 VAC / 50 Hz
Dimensions:	show sketch
Light source LED:	6 x LM-LED-G9-55 (5,5 Watt) 485 lm (≈ 41 W)
Light source HH:	6 x max. 20 W (≈ 33 W bulb load)
Protection class:	1 (with ground wire)
Shielding alternating electric field:	Metal light fitting and light shade, protection class 1
Shielding basket:	6 x Spiral stainless steel
Test according to:	TCO'99 (MPR II, DIN EN 50279) Limits undercut by a factor of 20 and more for all measurement methods. undercut by a factor of 20 and more, individually by 100

Lieferumfang

Lamp with 6 x light sources LM-LED-G9-55 - 5,5 W, 6 x shielding basket, 1 x lamp shade, 1 x ceiling fitting, 1 x lamp base and accessories (washers, nuts, dowels and screws)

Operating instructions



Further information at www.biologadanell.com